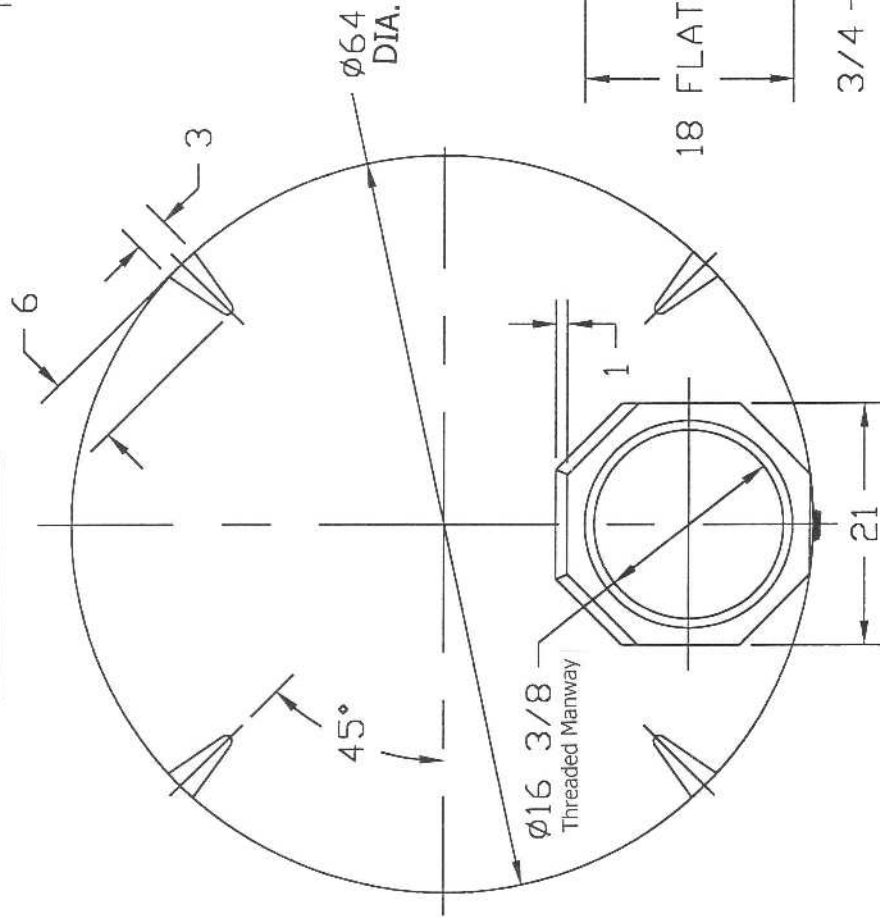


833 Imp. Gal.  
3,875 Liters  
170 lbs



REVISIONS

ZONE	REV	DESCRIPTION	DATE	APPROVED
	A	REDRAWN	09JAN97	

**40152 - Premium White**  
**40154 - Heavy Duty Light**  
**Blue**

Twin Maple Industrial Tanks

1000 GALLON VERTICAL TANK

32351 Huntingdon Road  
Abbotsford, B.C., V2T 5Y8  
(604) 854 6776 Fax: (604) 854 3223  
1(800)663 8898

JTP	09JAN97			
SIZE	FSCM NO.	DWG NO.	REV	
A		40152	A	
SCALE 1/16				SHEET