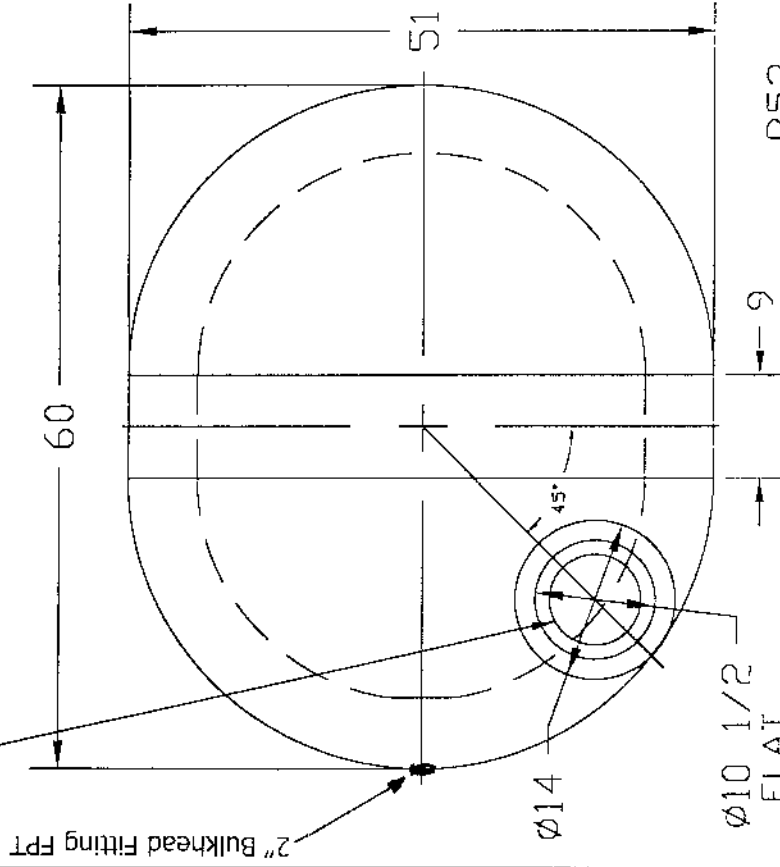
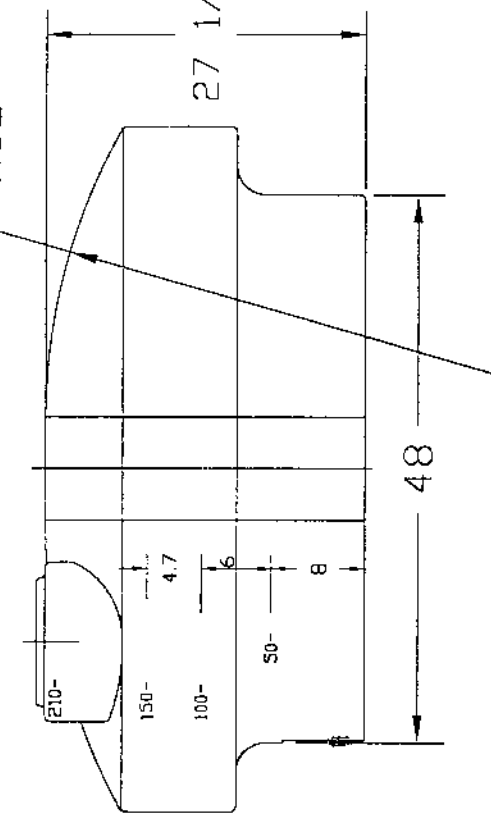


8 1/4 ACME THREAD, RH

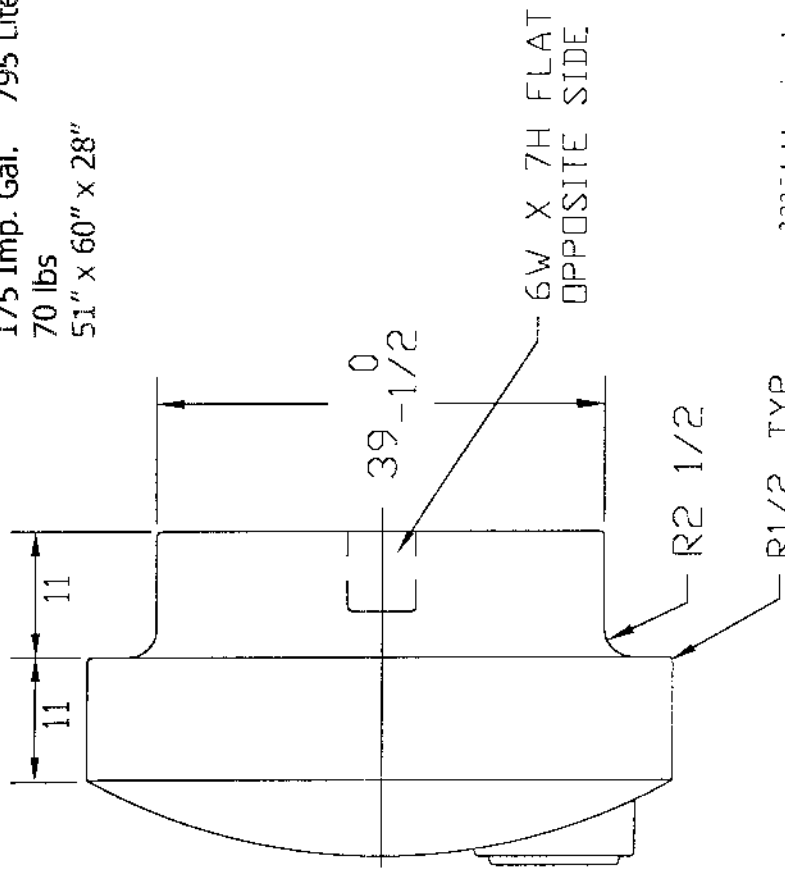


R52



REVISIONS				
ZONE	REV	DESCRIPTION	DATE	APPROVED
	B	REDRAWN	2APR96	

175 Imp. Gal. 795 Liters
 70 lbs
 51" x 60" x 28"



R2 1/2

R1/2 TYP

32351 Hurrington Road
 Abbotsford, B.C., V2T 5Y8
 (604) 854-6776 Fax: (604) 854-3223
 1(800)663-8898

Twin Maple Industrial Tanks

210 GALLON PICKUP TANK

SIZE	FSCM NO.	DWG NO.	REV
A		40300	B
SCALE 1/16		JTP	2APR96
			SHEET