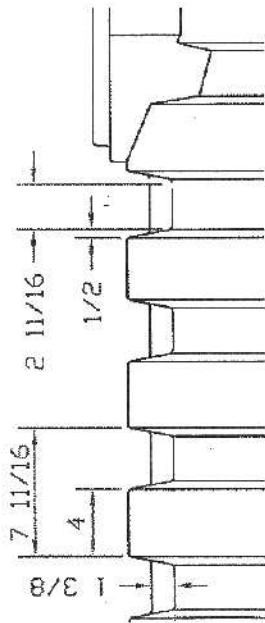


..... (T) .....

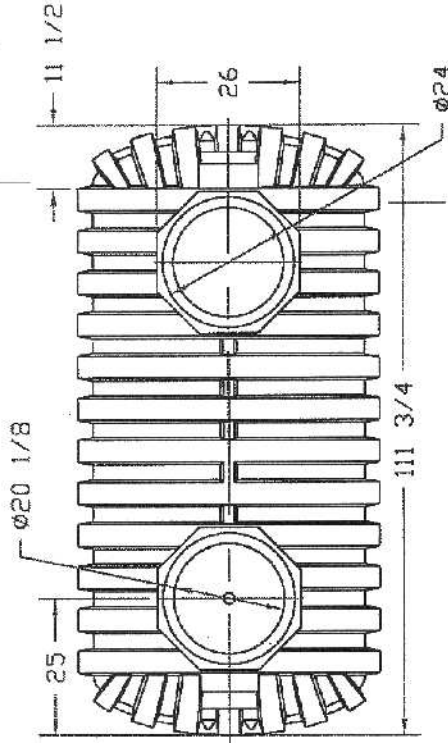
### 1041 Imperial Gal 4731 Liters

Septic: 321 lbs / Bruiser: 403 lbs

**Twin Maple Industrial Tanks**  
32351 Huntington Road  
Abbotsford, B.C., V2T 5Y8  
(604) 854 6776 Fax: (604) 854 3223  
Toll Free: 1(800) 663 8898

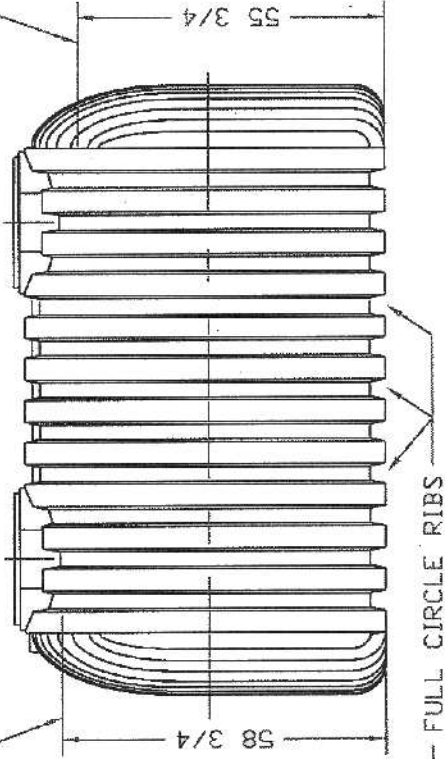
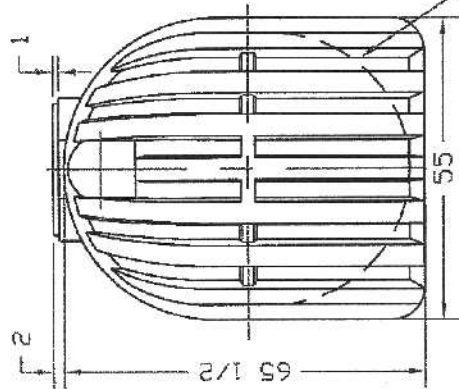


RIB DIMENSIONS  
1/8 SCALE



OUTLET CENTERLINE

INLET CENTERLINE



Top Load from 6" to 30"

Material: Polyethylene

1250 USG Septic # 41746

1250 USG Bruiser # 41754